



Benner-Nawman, Inc.

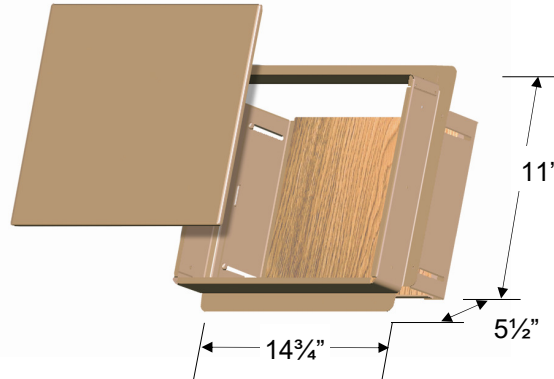
3450 Sabin Brown Road • Wickenburg, AZ 85390

(800) 992-3833 • (928) 684-2813 • www.bnproducts.com

Specification Sheet

Part #
1100C-E

This Cabinet Measures:
14³/₄" Wide x 11" Tall x 5¹/₂" Deep



Features & Info:

- Includes a 1/2" plywood backboard for easy mounting of utility equipment
- Fully enclosed lid fastened w/ 2 zinc-coated Phillips sheet metal screws
- Made of 20-gauge, zinc-coated steel w/ powder coat tan finish
- Available with an optional 4-position, #4-14 wire ground bar
- "COMMUNICATION" embossed lid standard, "TV" also available
- UL-Listed (UL1863), designed to NEMA 3R
- Open top and bottom to the inside wall
- Box weight: 6 lbs.

Bottom View

