



Benner-Nawman, Inc.

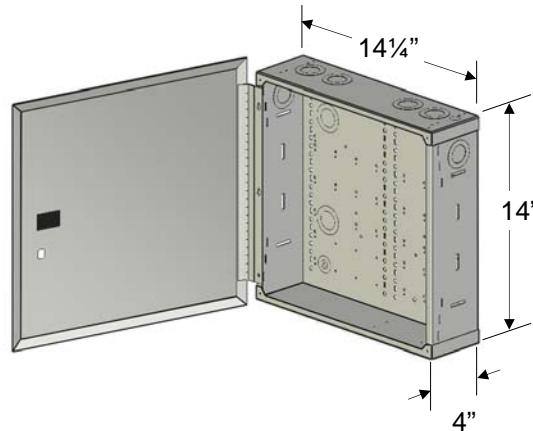
3450 Sabin Brown Road • Wickenburg, AZ 85390

(800) 992-3833 • (928) 684-2813 • www.bnproducts.com

Specification Sheet

Part #
14144-MMH

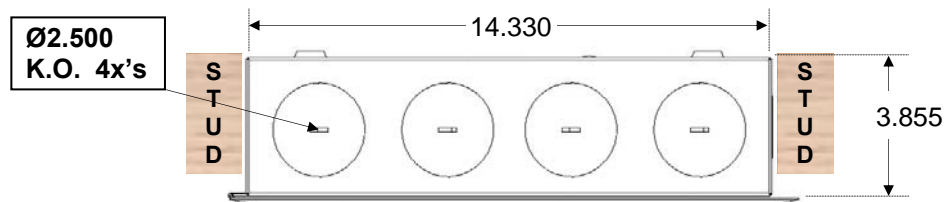
This Cabinet Measures:
14¼" Wide x 14" Tall x 4" Deep



Features & Info:

- Includes mounting screws, grommets, instruction sheet & cardboard overspray shield
- Made of 18-gauge (door) & 20-gauge (body), zinc-coated steel (powder coat white finish)
- Features a universal mounting pattern which accepts most major brands of modules
- Enclosure mounts prior to drywall between 16" center studs (mounting slots on side)
- Includes knockouts on all four sides and back, AC knockout on the bottom
- Body & Hinged Door may be purchased separately
- Depth marks on the side of the body
- UL-Listed (UL1863)
- Box weight: 10 lbs.

Top View



Bottom View

