

BNCE-130
14" CHOP SAW



SPECIFICATIONS

- Weight: 53 lbs. / 24 kg
- Speed: 1500 RPM
- Noise Level: 108 dB(A) K=3 dB(A)
- Cutting Capacity (Rod & Tubing):
 - Round (90°)* 5-1/8" (130mm)
 - Square ((90°):* 4-3/4" (120mm)
- Blade:
 - Diameter:* 14" / 355mm
 - Bore/Arbor:* 1" / 25.4mm
 - Kerf:* 0.094" / 2.4mm

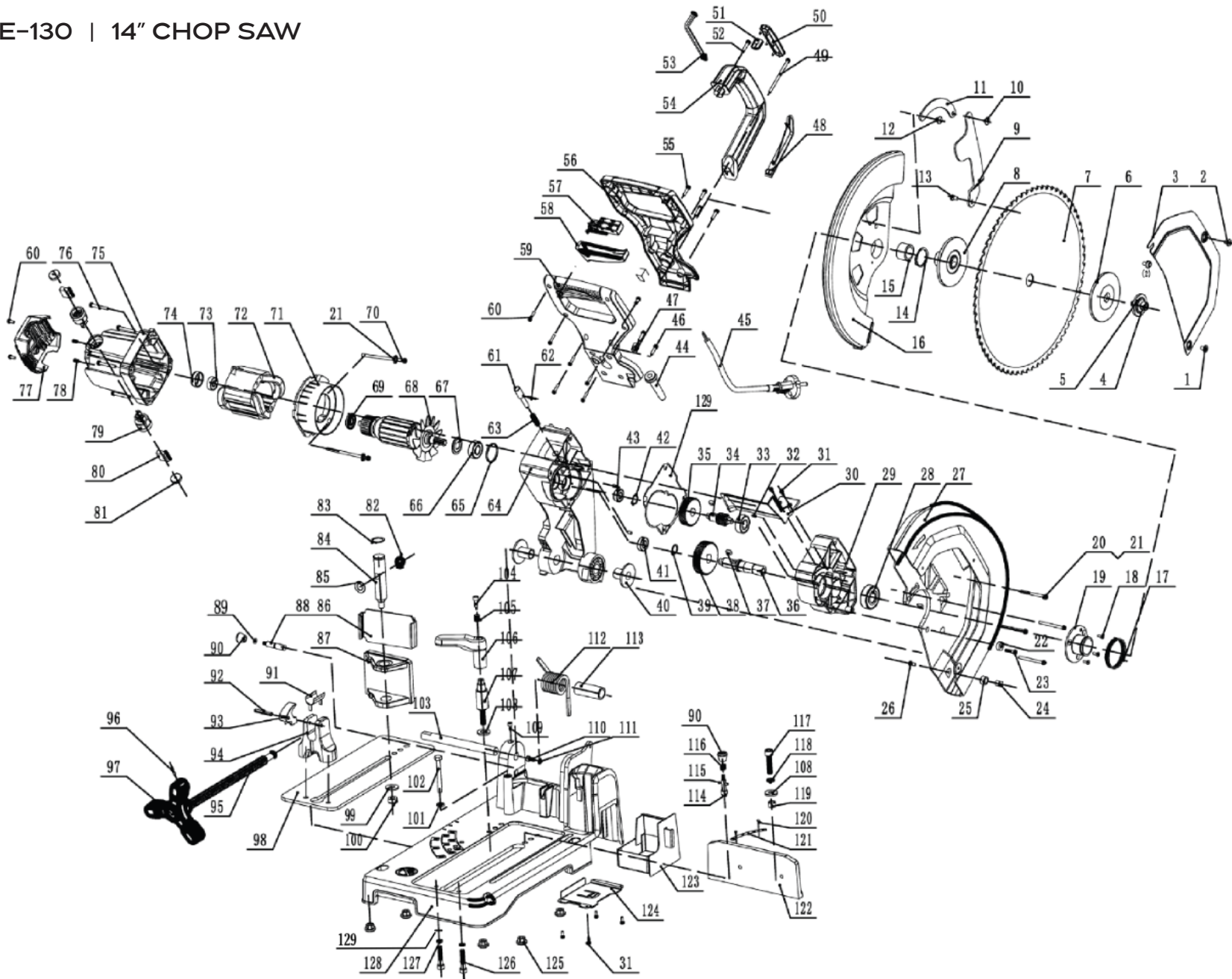
BN Products-USA™

3450 N Sabin Brown Road | Wickenburg, AZ 85390
 (800) 992-3833 | www.BNProducts.com

**PRODUCT
 PARTS GUIDE**



BNCE-130 | 14" CHOP SAW





BN PRODUCTS-USA, LLC.

A Division of Benner-Nawman, Inc.

www.bnproducts.com

**BNCE-130
14" CHOP SAW**

Ref No.	Part No.	Parts Name	Qty
1	101301	Pan head screw With Step M6*8	1
2	101302	Pan head screw M6*8	2
3	101303	Side cover - blade guard	1
4	101304	Hexagon screw M10*25	1
5	101305	Flange	1
6	101306	Blade flange - outer	1
7	RB-BNCE-130	Standard replacement blade	1
8	101308	Blade flange - inner	1
9	101309	Main connecting rod	1
10	101310	Blade guard linkage screw (1)	1
11	101311	Small connecting rod	1
12	101312	Blade guard linkage screw (2)	1
13	101313	Blade guard linkage screw (3)	1
14	101314	Snap ring Φ38	1
15	101315	Rotating blade guard sleeve	1
16	101316	Blade guard	1
17	101317	Reset spring	1
18	101318	Countersunk head screws M5*12	3
19	101319	Spindle cap	1
20	101320	Pan head Screw M5*60	4
21	101321	Spring washer φ5	4
22	101322	Bearing 606	1
23	101323	Pan head screw M6*16	1
24	101324	Anti-vibration pillar bushing	1
25	101325	Anti-vibration pillar	1
26	101326	Pan head screw M5*12	1
27	101327	Fixed Guard	1
28	101328	Bearing 6204	1
29	101329	Gear housing	1
30	101330	Protective pin cover	1
31	101331	Pan head screw M4*12	2

Ref No.	Part No.	Parts Name	Qty
32	101332	Anti-vibration pin Φ5*8	3
33	101333	Bearing 6200	1
34	101334	Level 2 Small Gear	1
35	101335	Level 1 Big Gear	1
36	101336	Spindle	1
37	101337	Woodruff Key 4*13	2
38	101338	Level 2 Big Gear	1
39	101339	Snap Ring Φ18	1
40	101340	Bearing bush	2
41	101341	Bearing 6001	1
42	101342	Snap Ring Φ16	1
43	101343	Bearing 6000	1
44	101344	Cord armor	1
45	101345	Control wire	1
46	101346	Pan head tapping screw St4*14	2
47	101347	Cord clip	1
48	101348	Handle - side cover	1
49	101349	Pan head screw M5*80	1
50	101350	Handle - top cover	1
51	101351	Rubber handle mount	1
52	101352	Pan head screw M5*25	1
53	101353	Hex wrench	1
54	101354	Handle	1
55	101355	Pan head screw M5*25	4
56	101356	Upper handle bracket	1
57	101357	Trigger switch	1
58	101358	Trigger button	1
59	101359	Lower handle bracket	1
60	101360	Pan head tapping screw St4.2*14	6
61	101361	Locking pin	1
62	101362	Cylinder Pin Φ4	1
63	101363	Reset spring - cylinder pin	1
64	101364	Control arm	1
65	101365	O Ring Φ35*1.5	1
66	101366	Bearing 6202	1



BN PRODUCTS-USA, LLC.

A Division of Benner-Nawman, Inc.

www.bnproducts.com

BNCE-130 14" CHOP SAW

Ref No.	Part No.	Parts Name	Qty
67	101367	Washer seal	1
68	101368	Armature	1
69	101369	Spacer Ring	1
70	101370	Pan head tapping screw St5*100	2
71	101371	Baffle	1
72	101372	Stator	1
73	101373	Bearing 629	1
74	101374	Bearing Sleeve 629	1
75	101375	Housing	1
76	101376	Pan head screw M5*40	4
77	101377	Rear cover	1
78	101378	Hexagon screw M5X8	2
79	101379	Carbon Brush mount	2
80	101380	Carbon Brush	2
81	101381	Carbon Brush Cap	2
82	101382	Split Pin	1
83	101383	Snap Ring Φ22	1
84	101384	Connecting rod pin	1
85	101385	Flat washer Φ25Φ12*3	2
86	101386	V jaw	1
87	101387	Movable jaw	1
88	101388	Pin	1
89	101389	O Ring 5*1.5	1
90	101390	Pin cap	1
91	101391	Rod washer	1
92	101392	Cylindrer Pin φ6*40	1
93	101393	Quick release nut	1
94	101394	Rod support	1
95	101395	Rod	1
96	101396	Cylinder pin φ5*30	1
97	101397	Rod handle	1
98	101398	Base plate	1

Ref No.	Part No.	Parts Name	Qty
99	101399	Flat washer Φ25Φ10*1.5	1
100	101400	Hexagon fixed screw M10	1
101	101401	Hexagon screw M10	1
102	101402	Outer hexagon screw M8X55	1
103	101403	Main arm spindle	1
104	101404	Fixed screw	1
105	101405	Spring	1
106	101406	Quick release handle	1
107	101407	Base adjustment screw	1
108	101408	Washer Φ10	1
109	101409	Hexagon screw M5*12	1
110	101410	Hexagon screw M6*12	1
111	101411	Spring washer φ6	1
112	101412	Torsion spring	1
113	101413	Torsion spring sleeve	1
114	101414	Auxiliary pin	1
115	101415	Cylinder pinφ 4*22	1
116	101416	Auxiliary pin pring	1
117	101417	Hexagon screw M10*40	1
118	101418	Spring washer φ10	1
119	101419	Angle plate sleeve	1
120	101420	Rivet	2
121	101421	Angle plate ruler	1
122	101422	Angle plate	1
123	101423	Dust collection chamber	1
124	101424	Dust collection bracket	1
125	101425	Rubber footing	5
126	101426	Hexagon screw M8*35	2
127	101427	Spring washer φ8	2
128	101428	Base plate	1
129	101429	Paper Washer	2

