



BN Products-USA™

A DIVISION OF BENNER-NAWMAN, INC.

WWW.BNPRODUCTS.COM

BNCE-45 Cutting Edge Saw™

BN Products-USA™ Customer Service: (800) 992-3833

Multi-Material Saw | Rebar | Strut | Tubing | Threaded Rod | Conduit & more



**BNCE-45
CUTTING EDGE SAW™**

- The BNCE-45 is the version of the lightweight and compact multi-material Cutting Edge Saw for cutting up to #11 Rebar and 1-5/8" Strut
- U-shaped top handle provides the operator with multiple cutting positions and increased maneuverability in tight areas
- Cuts a variety of materials including rebar up to #11, all-thread or coil rod (up to 1-3/4"), conduit, pipe, tubing, and more

Specifications

Voltage/Amperage	120V 60Hz / 9 A
Watts	1100W
Replacement Blade	6.5" (165 mm) Tungsten Carbide Tipped (RB-BNCE-45 Standard) Strut Blade (RB-BNCE-45S) Available/Sold Separately
Cutting Capacity	Rebar - #11 (1-3/8"; 35.8 mm) Strut - 1-5/8"
No Load RPM	1200
Depth of Cut	1-7/8" (47.6 mm)
Length x Width x Height	20" x 8" x 7" (515 mm x 155 mm x 101 mm)
Net Tool Weight	10.5 lbs. (4.8 kg)
Accessories Included:	(1) Heavy-Duty Carrying Bag / Allen Wrenches (2) (2) RB-BNCE-45 standard blades - Installed (1); Replacement (1) (1) Set replacement carbon brushes (1) Chip collection attachment

Blades

- **RB-BNCE-45:** BNCE-45 Series Cutting Edge Saw™ "STANDARD" TCT Replacement Blade (165 mm) for cutting ferrous and non-ferrous materials (Rebar, Tubing, All-Thread, and general usage)
- **RB-BNCE-45S:** Replacement Blade for cutting strut up to 1-5/8" (165 mm)

Ordering and Assistance

Contact Customer Service at:

(800) 992-3833



BN Products-USA™

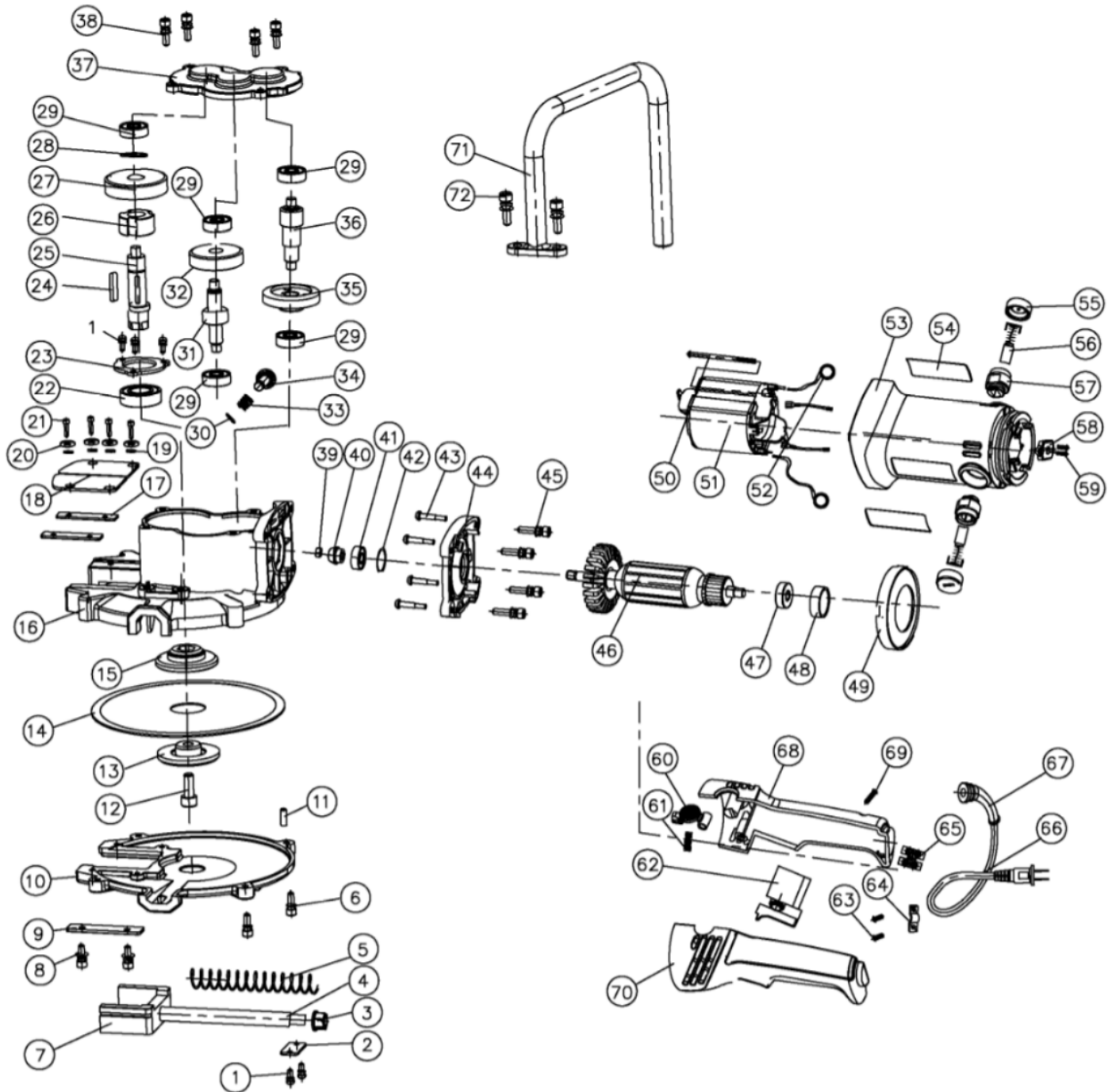
3450 N. Sabin Brown Road | Wickenburg, AZ 85390

(800) 992-3833 | www.BNProducts.com

**PRODUCT
PARTS GUIDE**



BNCE-45 Exploded View



Parts List: Next Page

BNCE-45 Cutting Edge Saw™ Parts List

No.	Part Number	Description	QTY
1	102560	SCREW W SPRING WASHER M4X12	5
2	102561	GUIDE POST PLATE	1
3	102562	NUT M8	1
4	102563	GUIDE POST	1
5	102564	GUIDE POST SPRING	1
6	102565	BOLT W WASHER M5X16	4
7	102566	SLIDING BLOCK	1
8	102567	BOLT W WASHER M5X14	4
9	102568	GUIDE PLATE	2
10	102569	GEARBOX LOWER COVER	1
11	102570	PIN A6X16	2
12	102571	BOLT M8X29 CLASS 12.9	1
13	102572	OUTER BLADE FLANGE	1
14	RB-BNCE-45	STANDARD BLADE	1
14	RB-BNCE-45S	STRUT BLADE (OPTIONAL)	1
15	102573	INNER BLADE FLANGE	1
16	102574	GEAR BOX	2
17	102575	STIFFENER PLATE	2
18	102576	LEFT AND RIGHT RUBBER PLATE	4
19	102577	SPRING WASHER M5	4
20	102578	FLAT WASHER M5X14X1.2	4
21	102579	BOLT M5X16	1
22	102580	BALL BEARING 6003-2RS	1
23	102581	BEARING RETAINER PLATE	4
24	102582	FLAT KEY 5X5X25	1
25	102583	SPINDLE	1
26	102584	STOP SLEEVE	1
27	102585	NO 3 GEAR	1
28	102586	CIRCLIP M15	5
29	102587	BALL BEARING 628-2Z	1
30	102588	CIRCLIP M6	1
32	102590	NO 2 GEAR W SHAFT	1
33	102591	SPRING FOR LOCK BUTTON	1
34	102592	LOCK BUTTON	1
35	102593	RING GEAR 37 TOOTH W SHAFT	1
<i>Parts 31 and 36 are intentionally omitted and are included as combined assemblies</i>			

No.	Part Number	Description	QTY
37	102595	GEARBOX TOP COVER	1
38	102596	BOLT W WASHER M5X16	4
39	102597	NUT M6	1
40	102598	PINION 10 TOOTH SLOTTED	1
41	102599	BALL BEARING 6000-2Z	1
42	102600	O RING 25X2	1
43	102601	PAN HEAD TAPPING SCREW 4.2X25	4
44	102602	ARMATURE SUPPORT B1	1
45	102603	BOLT W WASHER M5X20	4
46	102604	ARMATURE 120V	1
47	102605	BALL BEARING 607-2RS	1
48	102606	BEARING BUSHING	1
49	102607	FAN GUIDE	1
50	102608	PAN HEAD TAPPING SCREW 4.2X70	2
51	102609	STATOR 120V	1
52	102610	BRUSH HOLDER CONNECTOR	2
53	102611	MOTOR HOUSING	1
54	102612	NAME PLATE	2
55	102613	BRUSH CAP	2
56	102614	CARBON BRUSH SET 120V	2
57	102615	BRUSH HOLDER	2
58	102616	INNER WIRE RETAINER	1
59	102617	PAN HEAD TAPPING SCREW 2.9X9.5	2
60	102618	ROTATION BUTTON FOR HANDLE	1
61	102619	SPRING FOR ROTATION BUTTON	1
62	102620	TRIGGER SWITCH 120V	1
63	102621	PAN HEAD TAPPING SCREW 4.2X13	2
64	102622	CORD RETAINING CLIP	1
65	102623	TERMINAL	1
66	102624	POWER CORD 120V	1
67	102625	CORD ARMOR	1
68	102626	RIGHT HANDLE	1
69	102627	PAN HEAD TAPPING SCREW 4.2X16	4
70	102628	LEFT HANDLE	1
71	102629	FRONT HANDLE	1
72	102630	BOLT W WASHER M6X16	2



BN Products-USA™

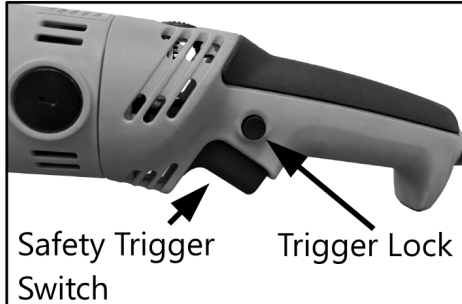
A DIVISION OF BENNER-NAWMAN, INC.

WWW.BNPRODUCTS.COM

BNCE-45 Cutting Edge Saw™

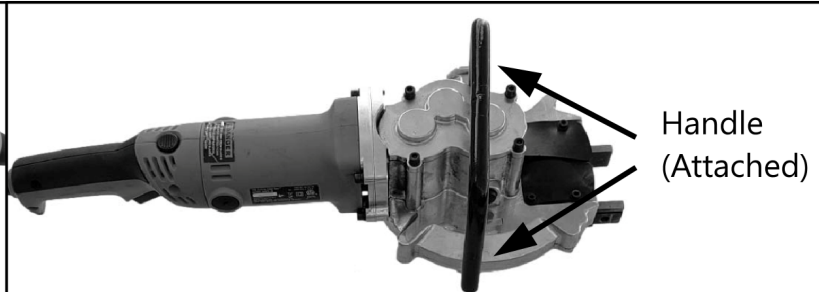
BN Products-USA™ Customer Service: (800) 992-3833

BNCE-45 External Parts Diagram

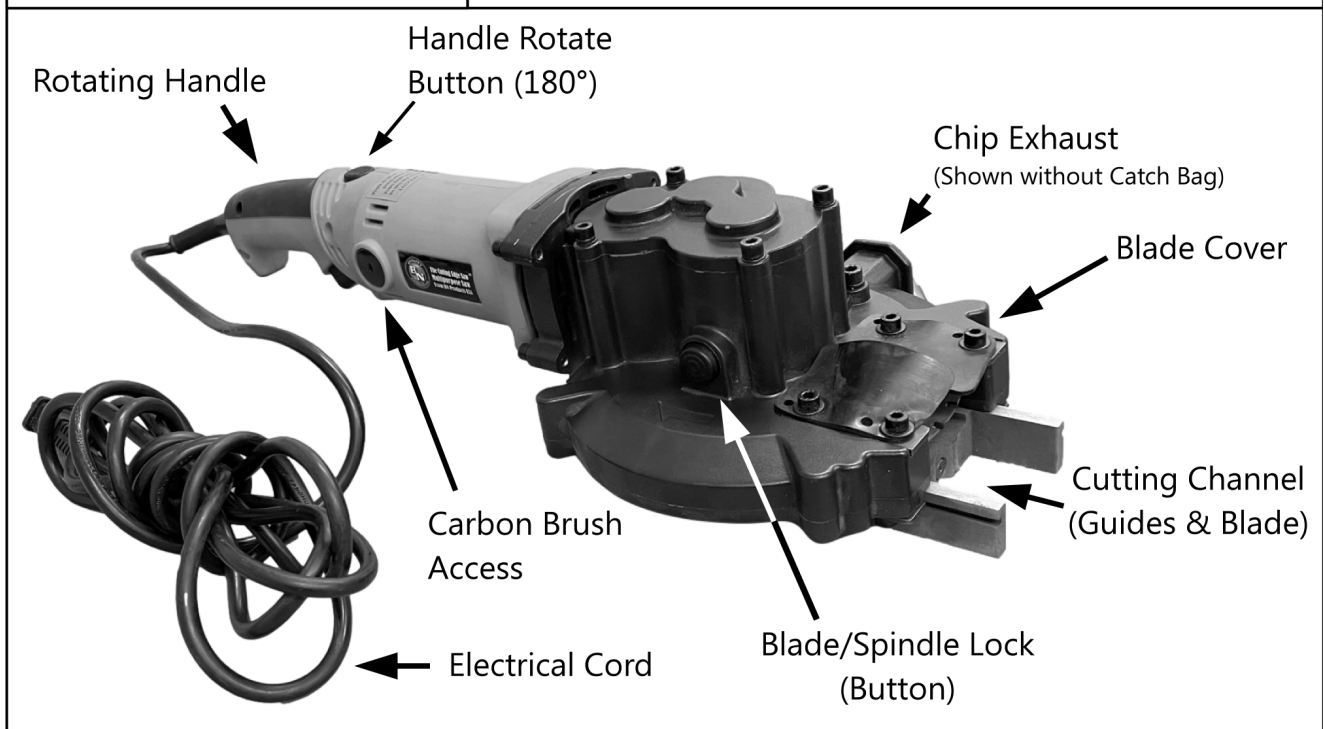


Safety Trigger
Switch

Trigger Lock



Handle
(Attached)



Rotating Handle

Handle Rotate
Button (180°)

Chip Exhaust
(Shown without Catch Bag)

Blade Cover

Cutting Channel
(Guides & Blade)

Carbon Brush
Access

Blade/Spindle Lock
(Button)

Electrical Cord



TOOLS FOR THE PROFESSIONAL CONTRACTOR

WWW.BNPRODUCTS.COM