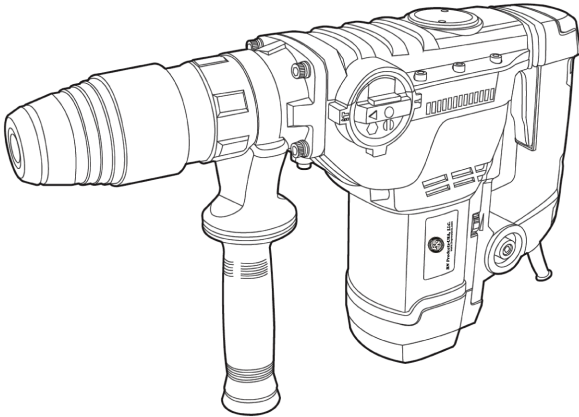




BN Products - USA, LLC.

A Division of Benner-Nawman, Inc. - Wickenburg, AZ

MODEL: BNH-640 ROTARY HAMMER OPERATOR MANUAL



Read this Manual carefully before operating this tool.

This Manual includes important Tool Safety warnings. Failure to follow instructions may result in electrical shock, fire and/or serious personal injury.

3450 N. SABIN BROWN ROAD • WICKENBURG, AZ 85390

(800) 992-3833 • MAIL@BNPRODUCTS.COM

ROTARY HAMMER OPERATOR MANUAL

Thank you for choosing our BNH-640 Electric Rotary Hammer. This manual covers the proper operation and maintenance. Before operating, please read this manual carefully for important procedures and safety.

All technical data and drawings in this manual are consistent with information on this product. However, as a result of revisions and other ongoing updates, the contents of this manual may be slightly different from the actual product. BN Products-USA, LLC. reserves the right to make changes at any time, without notice.

The copyright of this instruction manual belongs to BN Products-USA, LLC. No reproduction is allowed without the written consent of:

BN Products-USA, LLC. All rights reserved.

**This manual is a permanent part of this tool
and should accompany the product if it is resold.**

WORK AREA SAFETY

Keep work area clean and well lit. Cluttered or dark areas invite accidents. Do not operate power tools in explosive atmospheres, such as in the presence of flammable liquids, gases, or dust. Power tools create sparks which may ignite the dust or fumes. Do not use the device in wet or humid environment. Keep children and bystanders away while operating the machine. Distractions can cause you to lose control of the device.

ELECTRICAL SAFETY

- Power tool plugs must match the outlet. Never modify the plug in any way. Do not use any adapter plugs with grounded power tools. Modified plugs and matching outlets will increase risk of electric shock.
- Avoid bodily contact with grounded surfaces such as pipes, radiators, ranges and refrigerators. There is an increased risk of electric shock.
- Do not expose power tools to rain or wet conditions. Moisture entering a power tool will increase the risk of electric shock.
- Do not use the tool with a damaged cord. Never use the cord for carrying or pulling the power tool. Keep cord away from heat, oil, sharp edges or moving parts. Damaged or tangled cords increase the risk of electric shock.
- When operating a power tool outdoors, use an extension cord suitable for outdoor use only

PERSONAL SAFETY

- Stay alert when operating a power tool. Do not use a power tool while you are tired or under the influence of drugs, alcohol or medication.
- Avoid unintentional running of the tool. Ensure the switch is in the off-position before connecting to power source, picking up or carrying the tool.
- Remove any adjustment key or wrench before turning the power tool on. A wrench or a key left attached to a rotating part of the power tool may result in personal injury.
- Do not overreach. Keep proper footing and balance at all times. This enables better control of the power tool in unexpected situations.
- Dress properly. Do not wear loose clothing or jewelry. Keep your hair, clothing and gloves away from moving parts. Loose clothes, jewelry or hair can be caught in moving parts.
- If devices are provided for the connection of dust extraction and collection facilities, ensure these are connected and properly used. Use of these devices can reduce dust related hazards.
- Use personal protective equipment. Always wear eye protection. Protective equipment such as dust mask, non-skid safety shoes, hard hat, or hearing protection used for appropriate conditions will reduce personal injuries.

POWER TOOL USE AND CARE

- Do not force the tool beyond its capabilities. Use the correct power tool for your application. The correct power tool will do the job better and safer at the rate for which it was designed.
- Do not use the power tool if the switch does not turn it on and off. Any power tool that cannot be controlled with the switch is dangerous and must be repaired.
- Store power tools out of the reach of children and do not allow persons unfamiliar with the tool or these instructions to operate the power tool. Power tools are dangerous in the hands of untrained users.
- Perform periodic maintenance for all tools. Check for misalignment or binding of moving parts, breakage of parts and any other condition that may affect the power tool's operation. If damaged, have the power tool repaired before use. Accidents can be caused by poorly maintained power tools.
- Keep cutting tools sharp and clean. Properly maintained cutting tools with sharp cutting edges are less likely to bind and are easier to control.
- Use the power tool, accessories and tool bits etc., in accordance with these instructions, taking into account the working conditions and the work to be performed. Use of the power tool for operations different from intended could result in a hazardous situation.

SERVICE

Have your power tool serviced by a qualified repair person using only genuine replacement parts. A parts guide is available for this tool at BNProducts.com. Contact BN Products-USA™ Customer Service at (800) 992-3833 if you need assistance from a qualified professional service department.

ROTARY HAMMER SAFETY

- Use the auxiliary handle, supplied with the tool, for stability. Make sure that the handle is in a clear and comfortable position for using the Rotary Hammer.
- Wear a dust mask. Do not inhale particulate matter generated in drilling or chiseling operations.
- Before beginning work, always check the working area to ensure that no concealed electric cables or gas and water pipes are present.
- If the power cord is damaged, it must be replaced to avoid risk of electric shock.
- Do not touch the bit during or immediately after operation. The bit becomes very hot during operation and could cause serious injury or burns.
- Moderate operational time while using the Rotary Hammer to minimize risks related to vibration of the tool. If you lack sensation due to vibration or are fatigued, resume activity only after rest.
- Only use SDS-Max bits, which are designed for this tool. Do not use a fly cutter with this tool, as the attachment will be damaged and may create projectile hazards.
- Ensure that the shaft of the tool has come to a complete stop before touching the chuck or attempting to change a chisel or bit.
- A chisel or drill bit must be firmly and correctly seated and secured in the SDS-Max chuck before beginning operation of the Rotary Hammer.

VIBRATION SAFETY

- Constant exposure to vibration has been known to cause serious health problems such as back pain, carpal tunnel syndrome, and vascular disorders.
- Include vibration-free periods during the work day.
- Avoid excessive gripping of the tool; the Rotary Hammer should be gripped as lightly as possible while still keeping full control.

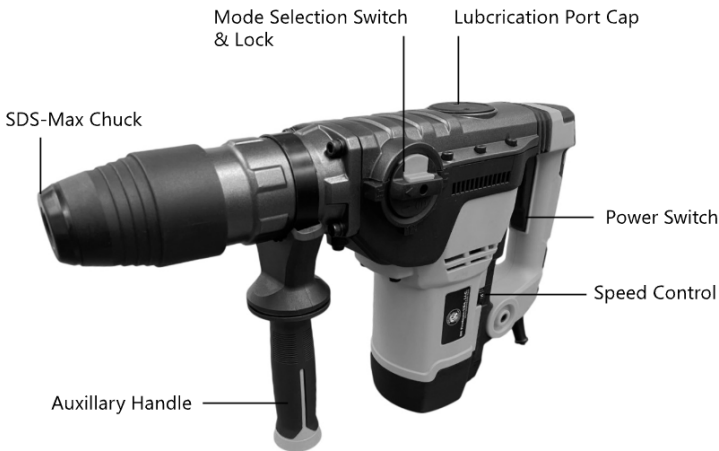
SPECIFICATIONS

Model Number	BNH-640
Electrical Rating	120V-60Hz 10.4A 1250 Watts
No-Load Speed	0-480 RPM
Impact Rate	1500-3100
Impact Energy	2-9J (1.5-6.6 ft-lbf)
Chuck Type	SDS-Max
Maximum Drilling Capacity	Drill Bit: Ø40mm (1-9/16")
Weight	16.5 lbs. (7.5 kg)
Dimensions (LxWxH)	18-1/4" x 4-3/4" x 10-3/4" (46.5 x 12.1 x 27.5 cm)

SETUP

Read the entire safety information section at the beginning of this manual.

To prevent serious injury from accidental operation: Turn the Power Switch off, and unplug the tool from any electrical outlet before assembling or making any adjustments to this machine.



ACCESSORIES & CARTON CONTENTS

BNH-640 Rotary Hammer (1)
SDS-Max Chisel 18 x 320mm (1)
Lubricant Tube (1)
Carbon Brush Set (1)

Wrench (1)
SDS-Max Drill Bit 18 x 320mm (1)
Auxillary Handle (1)

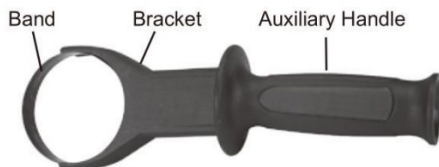
OPERATING INSTRUCTIONS



Use only accessories designed for this tool. Follow instructions that accompany all accessories. **ONLY** use SDS Max drill or chisel bits with the BNH-640 Rotary Hammer. Never use gasoline, acetone, or volatile solvents to clean surfaces of this rotary hammer.

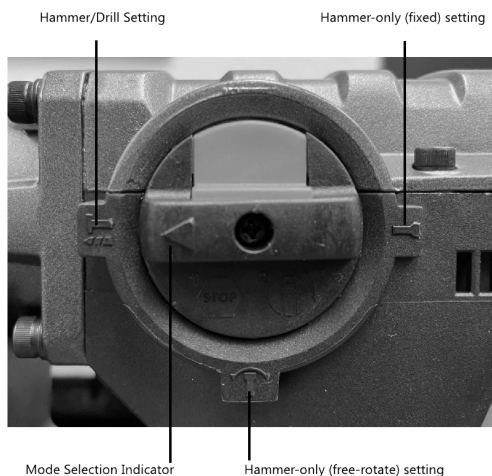
AUXILIARY HANDLE

The auxiliary handle can be placed in a variety of positions. To adjust the auxiliary handle, turn the handle counter-clockwise to loosen the band. Slide the handle to the desired position. Turn the handle clockwise to secure it into place.



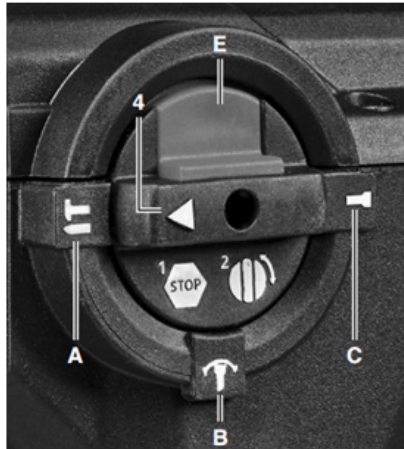
MODE ADJUSTMENT

Adjust the mode selection switch to the desired function before using the tool. Press the release and rotate the selection switch until the desired function is shown at the arrow indicator. Move the selection switch only when the motor is stopped. When setting the mode, make sure it clicks firmly into the desired position.



Selection Switch for Rotary Hammer

For Hammer/Drill, press the button (E) on the rotary switch (4), and simultaneously turn the rotary switch (4) to position A. For Hammer-only with free rotation, press the button (E) on the rotary switch (4), and simultaneously turn the dial switch (4) to position B. For Hammer-only (fixed) without free chisel rotation, press the button (E) on the rotary switch (4) and simultaneously turn the dial switch (4) to position C.

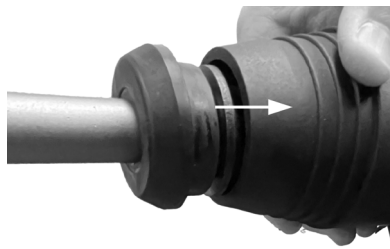


SDS MAX Chuck

The chisel and drill bits used with this tool are designed for an SDS Max chuck. The SDS Max chuck allows for accessories to be changed quickly and securely. Insert the bit into the SDS Max chuck housing while applying moderate pressure, rotating counter-clockwise.

At the same time, slide the front of the chuck housing toward the main body of the tool. This will allow the bit to slide and lock into place when the chuck is released.

To remove the bit, slide the chuck toward the main body of the tool, allowing you to remove it by sliding the bit out of the chuck housing.



Slide the front of the chuck toward the body of the tool to insert, lock, and release an SDS Max bit

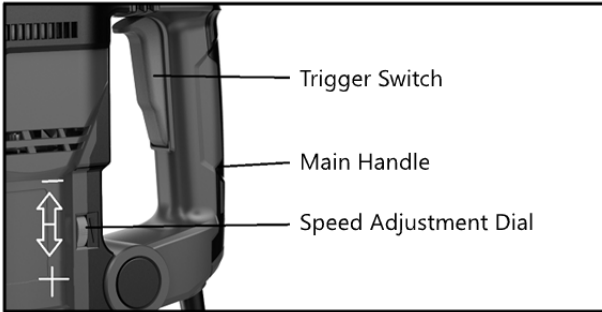
POWER SWITCH

The rotary hammer has an on/off switch built into the main handle of the tool. Hold the tool with both handles, then squeeze the trigger switch to start the motor; releasing the trigger will switch the motor off.

SPEED ADJUSTMENT

The machine is equipped with electronic speed control. You can preselect the speed by turning the speed controller:

Minus (-) direction: Lower speed
Plus (+) direction: Higher speed



MAINTENANCE AND INSPECTION

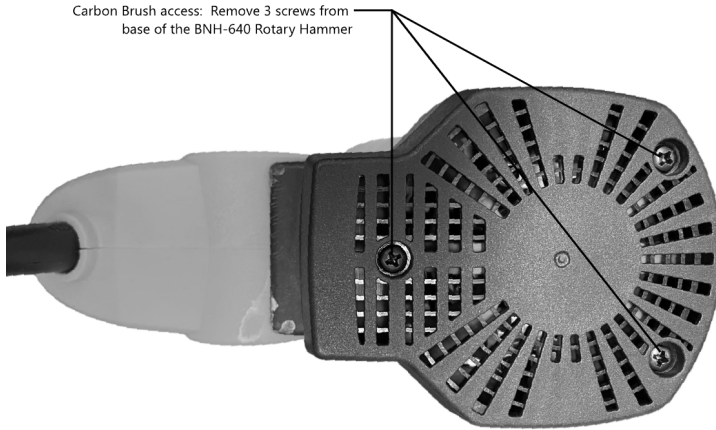
Inspecting the Tool

- Bits must be in good condition and free of chips or damage. Chisels should be sharp. Worn or dull bits will underperform and overwork the rotary hammer motor. Replace dull chisels or damaged bits with new ones that are in good condition.
- Inspect the tool to make sure that there are no loose parts and that all mounting screws and fasteners are tight; tighten as needed. Missing parts must always be replaced immediately before using the tool.
- It is important to store the tool in a cool dry place when not in use. Always keep the tool away from moisture and prevent water from entering the tool.
- Carbon Brushes are subject to wear over time. Brushes should be replaced periodically if there is wear on the brush; at least 1/4" of the wearable surface should remain for the tool to perform optimally.



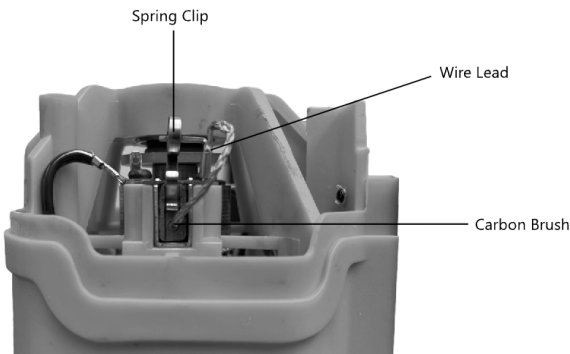
Carbon Brush Replacement

- To inspect and replace carbon brushes on the BNH-640 Rotary Hammer:
- Turning the tool upside down, the black fan cover at the base of the tool will need to be removed. Remove the three (3) Phillips screws from the fan cover at the bottom of the tool.
- The two brushes are secured with a spring clip (coil spring) on each side of the tool. To remove, the clip should be moved using a small screwdriver. The wire lead can be pulled away from the wire lead connector to free each of the two carbon brushes.



To re-install the brushes or replace with a new set, the brush should be inserted into the brush carrier subassembly, the lead wire connected, and the spring clip (coil spring) should be repositioned to firmly hold the brush into place. The wire lead must be reconnected to the wire lead connector.

These steps must be repeated on the opposite side of the unit to replace both carbon brushes.



Lubrication

- Add lubricant to the gearbox using the lubricant provided with the tool, or use recommended lubricant product **after every 80 hours of use**:

BN Products-USA Model #	Manufacturer	Lubricant Product ID	Quantity
BNH-1770	Mobil	SHC32	80g
BNH-1145	Mobil	SHC32	60g
BNH-640	Mobil	SHC32	50g
BNH-1770	Shell	DARINA R2	80g
BNH-1145	Shell	DARINA R2	60g
BNH-640	Shell	DARINA R2	50g

NOTICES

This tool is subject to enhancement and ongoing development. Parts, part numbers, design, and specifications may be changed on this product at any time, with or without prior notification.

ONE-YEAR LIMITED MANUFACTURER WARRANTY

BN Products-USA™ warrants each tool to the original purchaser to be free of defects in materials and workmanship under everyday and appropriate use and service for one year. Use the applicable QR code or web URL below to access our full One-Year Warranty policy and procedure, or to complete a Warranty Service Request for this product.

If you are requesting Warranty Service, it is recommended that you have your original purchase order available to upload or scan using a mobile device.

Questions with regard to our One-Year Limited Manufacturer Warranty may be directed to BN Products-USA™ Customer Service at (800) 992-3833.

SCAN 	ONE-YEAR LIMITED WARRANTY https://www.bnproducts.com/warranty-1/ 		REQUEST WARRANTY SERVICE ONLINE https://www.bnproducts.com/warranty-request/ 
---	--	---	--



BN Products-USA™

3450 North Sabin Brown Road
Wickenburg, AZ 85390

Customer Service: **(800) 992-3833**

Website: **www.BNProducts.com**

QUALITY PRODUCTS ENGINEERED WITH INTELLIGENCE AND IMAGINATION
