



BN PRODUCTS-USA, LLC.

A Division of Benner-Nawman, Inc.

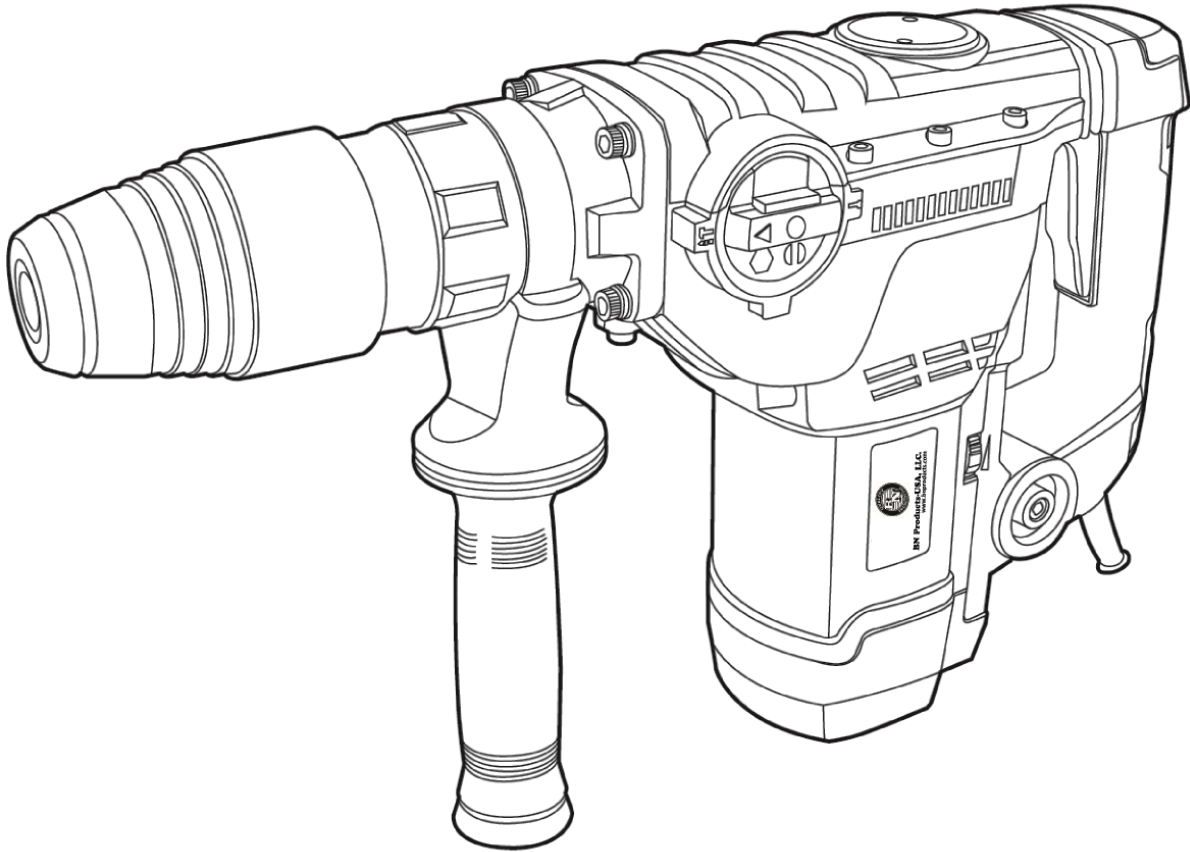
www.bnproducts.com

BNH-640 ROTARY HAMMER

BN Customer Service (800) 992-3833

1250 Watt | SDS-Max Chuck | 2-9J | 1500-3100 BPM

Rotary Hammer Drill



BN Products-USA™

3450 N Sabin Brown Road | Wickenburg, AZ 85390

(800) 992-3833 | www.BNProducts.com

**PRODUCT
PARTS GUIDE**



BN PRODUCTS-USA, LLC.

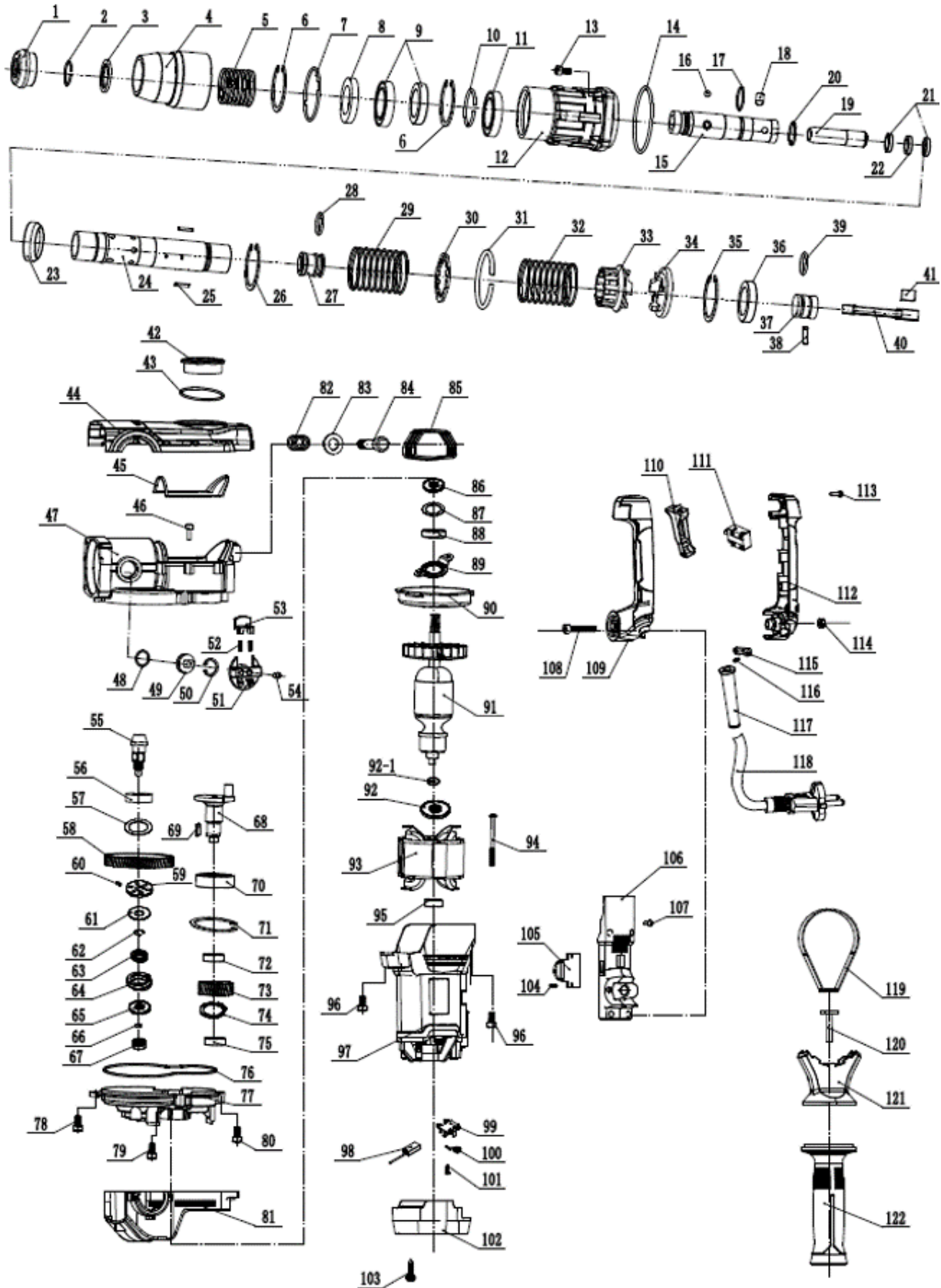
A Division of Benner-Nawman, Inc.

www.bnproducts.com

BNH-640

ROTARY HAMMER

BN Customer Service (800) 992-3833





BN PRODUCTS-USA, LLC.

A Division of Benner-Nawman, Inc.

www.bnproducts.com

BNH-640 ROTARY HAMMER

BN Customer Service (800) 992-3833

No.	Part Number	Part Name	Qty	No.	Part Number	Part Name	Qty
1	101600	Hammer rod protector	1	32	101631	Clutch Spring	1
2	101601	Steel Circlip $\Phi 25 \times 2$	1	33	101632	Clutch	1
3	101602	Support Washer	1	34	101633	Large Cone Gear	1
4	101603	Flex Sheath	1	35	101634	Retaining Ring $\Phi 50$	1
5	101604	Flex Sheath Spring	1	36	101635	Bearing $\Phi 32 \times \Phi 37 \times 12$	1
6	101605	Retaining Ring $\Phi 55$	2	37	101636	Gas Press Piston	1
7	101606	O Ring $\Phi 58 \times 1.5$	1	38	101637	Piston Pin	1
8	101607	Oil seal gasket	1	39	101627	O Ring $\Phi 22 \times 3.05$	1
9	101608	Oil Seal Ring $\Phi 35 \times 51 \times 6$	2	40	101638	Connecting Rod Assembly	1
10	101609	Steel Circlip $\Phi 32 \times 1.8$	1	41	101639	Needle Bearing HK10/20	1
11	101610	Ball Bearing 907	1	42	101640	Oil Tank Cover	1
12	101611	Front housing	1	43	101641	O Ring $\Phi 42 \times 2$	1
13	101612	Hex Socket Bolt Set M6 \times 25	4	44	101642	Top Cover	1
14	101613	O Ring $\Phi 53.5 \times 2$	1	45	101643	Rubber gasket	1
15	101614	Hammer Sheath	1	46	101644	Hex Socket Bolt M5 \times 16	6
16	101615	Steel Ball S $\Phi 8$	2	47	101645	Crank Housing	1
17	101616	O Ring $\Phi 24.1 \times 2.1$	1	48	101646	O Ring $\Phi 22 \times 2$	1
18	101617	Steel Pillar $\Phi 8 \times 8$	3	49	101647	Dial Staff Sheath	1
19	101618	Impact Hammer Assembly	1	50	101648	Retaining Ring $\Phi 25$	1
20	101619	O Ring $\Phi 24 \times 1.9$	1	51	101649	Function Knob	1
21	101620	Hammer ring	2	52	101650	Function Knob Spring	2
22	101621	Vibration Cushion	1	53	101651	Function Knob Button	1
23	101622	Pillar Retaining ring	1	54	101652	Machine Screw ST4 \times 14	1
24	101623	Cylinder	1	55	101653	Small bevel Gear	1
25	101624	Flat Key 3 \times 3 \times 18	2	56	101654	Ball Bearing 6002	1
26	101625	Retaining Ring $\Phi 32 \times 1.8$	1	57	101655	Wear Plate	1
27	101626	Impact Piston	1	58	101656	Large Flat Gear	1
28	101627	O Ring $\Phi 22 \times 3.05$	1	59	101657	Fixed Clutch Plate	1
29	101628	Cylinder Spring	1	60	101658	Steel Ball $\Phi 4.5$	8
30	101629	Spring Ring	1	61	101659	Movable Clutch Plate	1
31	101630	Steel Circlip	1	62	101660	Retaining Ring 12.5 \times 1.2	1

BN Products-USA™



BN PRODUCTS-USA, LLC.

A Division of Benner-Nawman, Inc.

www.bnproducts.com

BNH-640 ROTARY HAMMER

BN Customer Service (800) 992-3833

No.	Part Number	Part Name	Qty	No.	Part Number	Part Name	Qty
63	101661	Small clutch spring $\Phi 20.3 \times 2.8 \times 13$	1	93	101690	Stator	1
64	101662	Large clutch spring $\Phi 27 \times 2.8 \times 15.5$	1	94	101691	Self-Tapping Screw ST5 \times 60	2
65	101663	Clutch spring seat	1	95	101692	Ball Bearing 608	1
66	101664	Retaining Ring 8.8 \times 1	1	96	101693	Hex Socket Bolt Set M6 \times 20	4
67	101883	Ball Bearing 628	1	97	101694	Housing	1
68	101665	Crank Shaft	1	98	101695	Carbon Brush	2
69	101666	Flat Key 4x4x12	2	99	101696	Brush Carrier Sub-assembly	2
70	101667	Ball Bearing 6204	1	100	101697	Coil spring	2
71	101668	Retaining Ring $\Phi 47$	1	101	101698	Tapping Screw ST3 \times 10	4
72	101669	Liner	1	102	101699	Fan Cover	1
73	101670	Crankshaft gear	1	103	101700	Self-Tapping Screw ST4 \times 16	3
74	101671	Retaining Ring $\Phi 16$	1	104	101698	Tapping Screw ST3 \times 10	2
75	101672	Ball Bearing 6000	1	105	101701	Speed Adjuster	1
76	101673	Seal for Inner cover	1	106	101702	Main Handle Seat	1
77	101674	Inner Cover	1	107	101703	Screw 5x16	4
78	101675	Hex Socket Bolt M5x16	1	108	101704	Hex Socket Bolt M6 \times 50	1
79	101676	Hex Socket Bolt Set M5 \times 40	2	109	101705	Main Handle	1
80	101612	Hex Socket Bolt Set M6 \times 25	1	110	101706	Switch button	1
81	101677	Housing Cover	1	111	101707	Switch	1
82	101678	Spring	2	112	101708	Main Handle Cover	1
83	101679	Ferrule	1	113	101700	Self-Tapping Screw ST4 \times 16	3
84	101680	Pillar	2	114	101709	Nut M6	1
85	101681	Jacket	1	115	101710	Cord Slip	1
86	101682	Oil Seal Ring $\Phi 12 \times \Phi 22 \times 5$	1	116	101700	Self-Tapping Screw ST4 \times 16	2
87	101683	Washer $\Phi 28 \times 16 \times 1$	1	117	101711	Cord Armor	1
88	101684	Ball Bearing 6001	1	118	101712	Cord	1
89	101685	Bearing Plate	1	119	101713	Steel Tie For Side Handle Ass'y	1
90	101686	Fan Guide	1	120	101714	Square Bolt	1
91	101687	Armature	1	121	101715	Side Handle Assembly Base	1
92	101688	Isolation Ring	1	122	101716	Side Handle	1
92-1	101689	Flat Washer $\Phi 14 \times 8 \times 0.9$	1	<i>Pricing: (800) 992-3833 -or- mail@bnproducts.com</i>			

BN Products-USA™