

BNLB-24360 Construction Floodlight

Indoor / Outdoor Portable Lighting

360° Glare-Free Job Site Illumination

Ultra-Bright
6500K
 Cool White



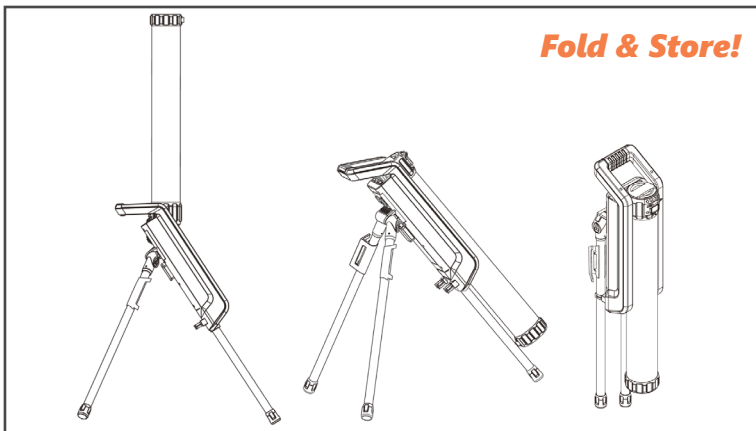
Features:

- Compact Design - Includes integrated, folding tripod with carrying handle
- Sturdy tripod provides stability for job site safety
- Indoor/outdoor power cable for construction site or indoor shop use
- CRI > 92 natural color rendering provides clear, ultra-bright illumination up to 5000 net lumens
- Splash-proof housing
- A/C and Battery modes:
 - Unit is equipped with 24V Li-Ion battery and charger included with up to 18 hours of battery light!

Specifications:

Product ID	BNLB-24360
Description	360° Adjustable Work Light
Usage	Indoor / Outdoor
120V AC Power	45 Watts
24 DC Power	25 Watts
Battery Type	24V - 4.0Ah Lithium-Ion
Net Lumens	5000 (AC) / 3300 (24V DC)
Diffusion Angle	120°
Color Rendering	CRI RA >92
Light Color	Dynamic White (6500K)
Protection Class	IP54 and IK07
Operating Temperature	14°F to 104°F (-10°C to 40°C)
Dimensions (Expanded)	31.6 x 25 x 53.2" 80.5 x 63.6 x 135.1 cm
Cord Length	6.5 ft. / 200 cm

Fold & Store!



BNL-24360-Literature.indd

BN Products-USA™

3450 Sabin Brown Road
 Wickenburg, AZ 85390
 (800) 992-3833
 www.BNProducts.com



Revised 8/3/2023

