



**BN PRODUCTS-USA, LLC.**

A Division of Benner-Nawman, Inc.

# Assembly Instructions

## BNMS-100 Mixing Station



1. Check the package you received to ensure all parts are included. If any parts are missing do not return this product to the store but contact BN Customer Service at 1-800-992-3833.

2. To attach the Casters (#1) turn the Lower Frame Assembly (#5) upside down on a level surface. The two locking casters need to be installed in the back of the frame that is near the Foot Lock Lever (#4). Use a 3/4" open end wrench and a ratchet with a 3/4" socket to install the casters. Install a wheel bolt and washer up through the Lower Frame (#5) and through the Caster and attach with a Lock Nut (#3) on each wheel.

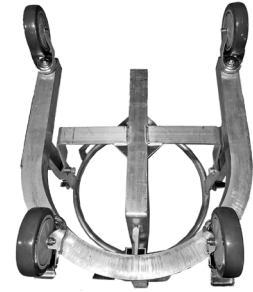


Diagram A

3. Place the Back Plate (#22) inside the Bucket Frame (#21) with the threaded stud sticking out of the bottom hole and loosely start the Wing Nut (#27). Thread the Lock Handle (#26) through the Bucket Frame and into the Back Plate but leave loose. See Diagram B.



Diagram B

4. With the Back Plate (#22) very loose slide the Extension Frame (#8) into the Bucket Frame and lock into place about 4 inches from the bottom.

5. Slide the Extension Tube (#10) with swivel into the Extension Frame and lock in place with the Pin (#9). See Diagram C.

6. Attach the two Knob Bolts (#13) to the Swivel Assembly.

7. Install the battery in the Timer and attach it to the back bracket.

8. The electric mixer can now be installed and the Swivel adjusted with the Bottom Knob (#18).

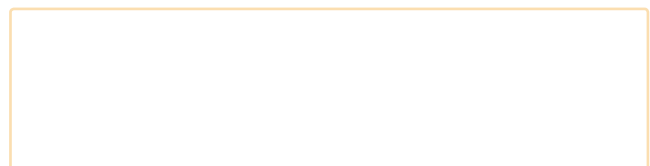


Diagram C

**Note: When attaching an electric mixer, the paddle will need to be pushed up through the Swivel and threaded into the mixer.**

BNMS100 Assembly Instructions.indd

**BN Products-USA, LLC.**  
3450 Sabin Brown Road  
Wickenburg, AZ 85390  
(800) 992-3833  
mail@bnproducts.com

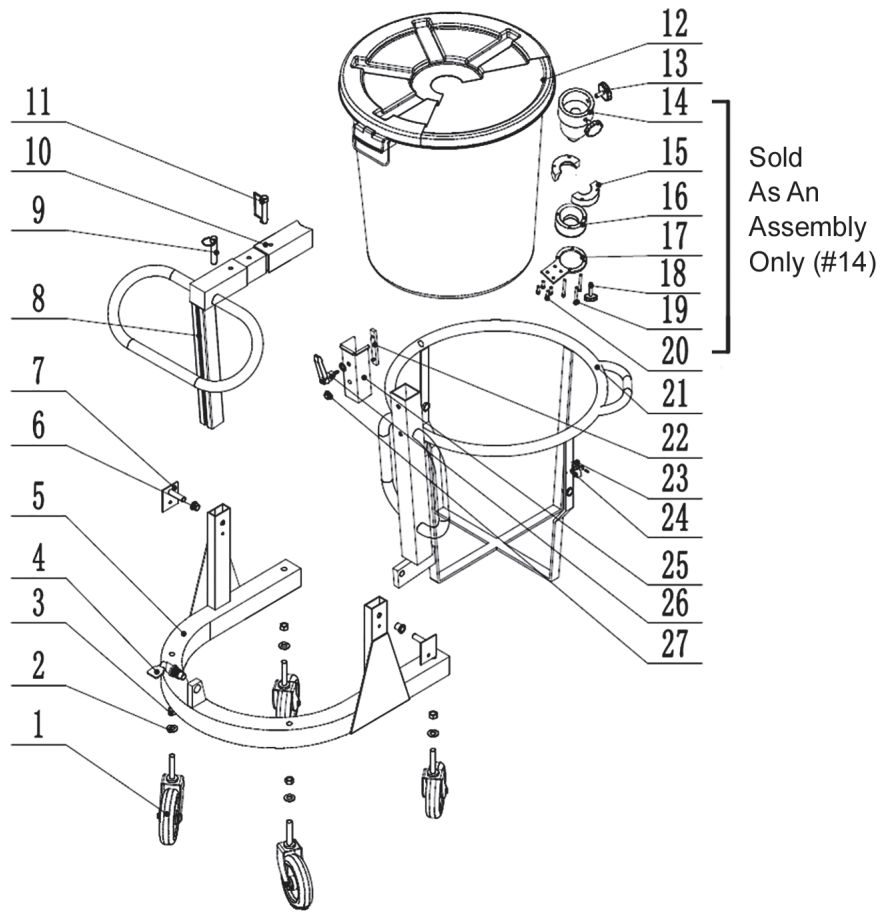




**BN PRODUCTS-USA, LLC.**

A Division of Benner-Nawman, Inc.

# Assembly Instructions



BNMS-100 Assembly Parts List			NO.	Part Name	Qty
NO.	Part Name	Qty	14	Swivel Assembly	1
1	Caster	4	15	Upper Ball	1
2	Washer	4	16	Lower Ball	1
3	Lock Nut	4	17	Mounting Plate	1
4	Lock Lever	1	18	Bottom Knob	1
5	Lower Frame	1	19	Hex Bolt M8*30	4
6	Sleeve	2	20	Hex Bolt M8*15	4
7	Swival Bracket	2	21	Bucket Frame	1
8	Extension Frame	1	22	Back Plate	1
9	Pin	1	23	Bucket Latch	2
10	Extension Tube	1	24	Round Head Bolt M6*12	4
11	Hoop Pin	1	25	Sleeve	1
12	Bucket and Lid	1	26	Lock Handle	1
13	Knob Bolt M8	2	27	Wing Nut	1