



**BN Products-USA™**

A DIVISION OF BENNER-NAWMAN, INC.

**DBR-25WM**

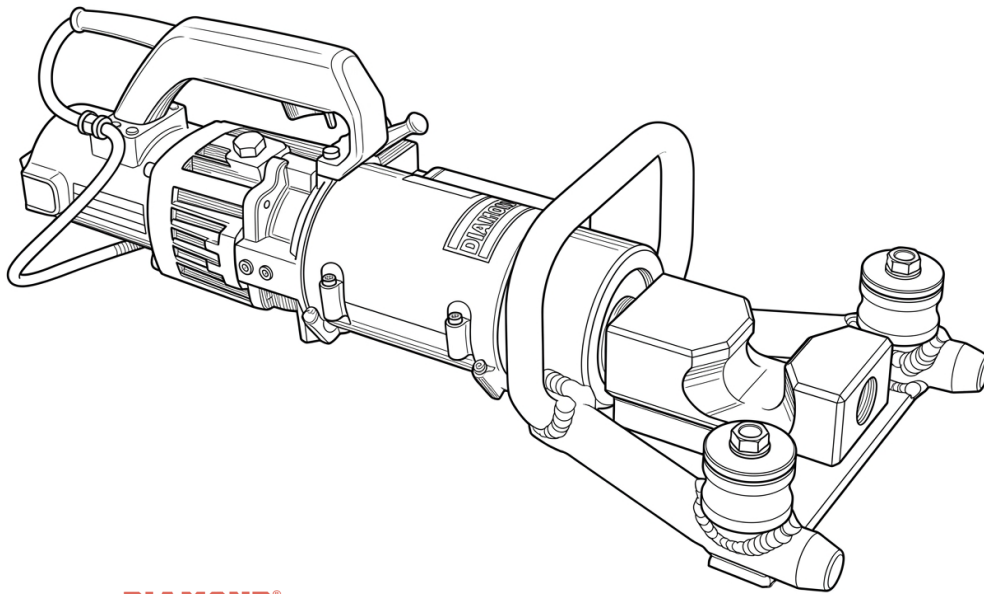
**#8 Rebar Bender/Straightener**

BN Products Customer Service: (800) 992-3833

## DBR-25WM

### Electric/Hydraulic Rebar Straightener & Bender

Designed for #8 (25mm) Grade 60 Rebar



**DIAMOND®**  
**DBR-25WM**

#### Designed for In-Place Bending Applications

The DBR-25WM is a heavy-duty electric/hydraulic rebar bender and straightener tool.

This powerful machine will bend or straighten rebar in-place with its push/pull hydraulic capabilities. When used as a bender, the DBR-25WM can effectively bend a 90-degree angle in just four seconds.

#### Specifications:

#### Dimensions - Weight - Power

Maximum Bending Diameter	1" #8 Rebar (25mm) Grade 60
Bending Angle	Up to 94 degrees (1/2") - up to 90 degrees ( 1")
Voltage/Amperage	115V 50/60Hz / 12 amps
Tool Weight	58 lbs (26 kg)
Dimensions L x W x H	23.5" (660mm) x 10.5" (270mm) x 8" (200mm)

**BN Products-USA™**

3450 N. Sabin Brown Road | Wickenburg, AZ 85390

(800) 992-3833 | BNProducts.com

**PRODUCT  
PARTS GUIDE**



**BN Products-USA™**

A DIVISION OF BENNER-NAWMAN, INC.

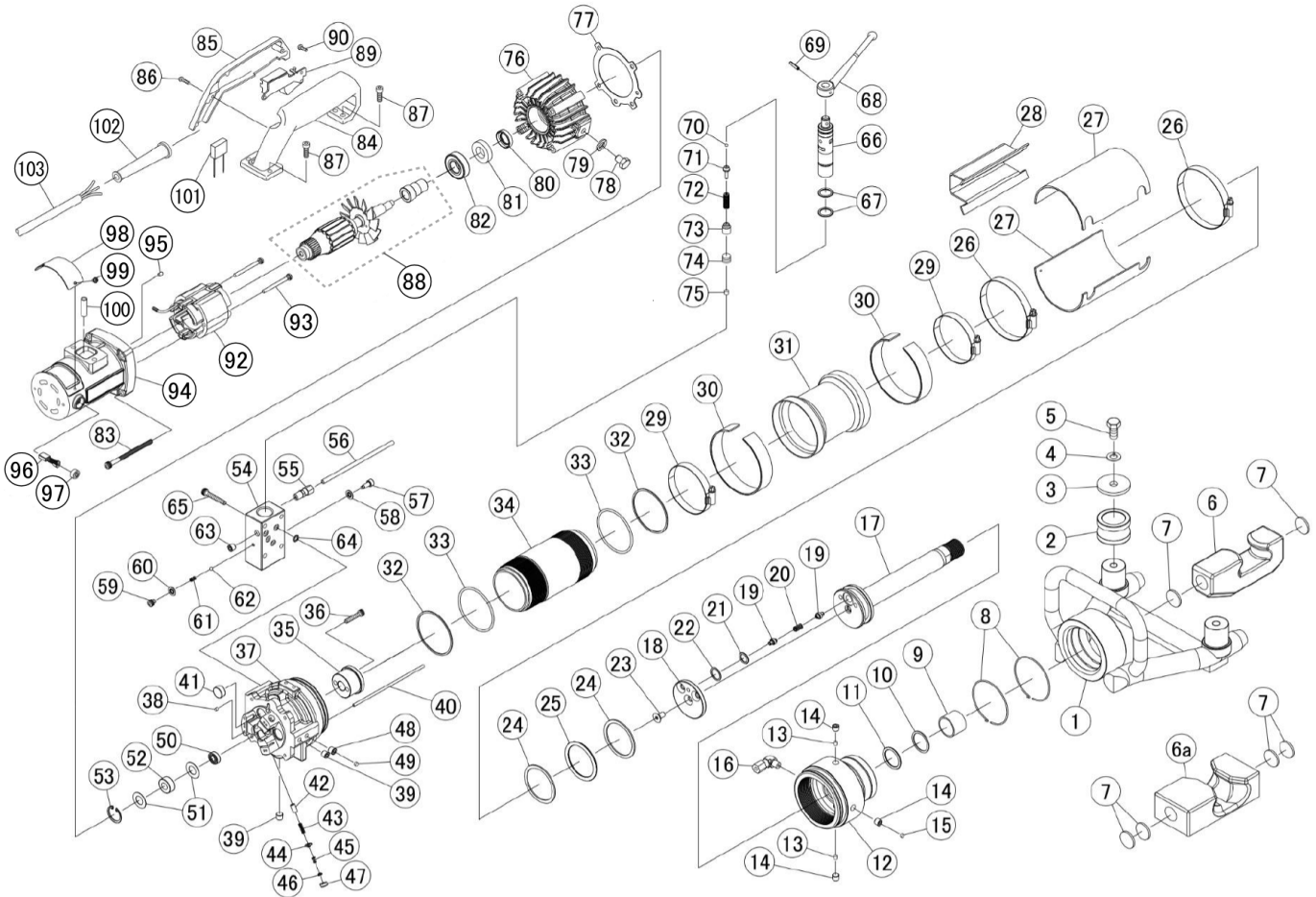
**DBR-25WM**

**#8 Rebar Bender/Straightener**

BN Products Customer Service: (800) 992-3833

**Parts Diagram**

**DBR-25WM  
BENDER-STRAIGHTENER**



**Maintenance Parts & Accessories**

Accessory, maintenance parts and and replaceable components are available though BN Products-USA™ Distributors.

If assistance is required, please contact BN Products-USA™ Customer Service at (800) 992-3833.

PRODUCT NUMBER	DESCRIPTION
BN7356	Hydraulic Oil ( 1 Quart)
BD25WK	Bending Die Set ( 1/2" & 3/4" bending dies)
1DBR80A	Large Radius Bending Hook



**BN Products-USA™**

A DIVISION OF BENNER-NAWMAN, INC.

**DBR-25WM**

**#8 Rebar Bender/Straightener**

BN Products Customer Service: (800) 992-3833

## Parts Listing

No.	Part No.	Part Name	Qty	No.	Part No.	Part Name	Qty
1	1DBR205790-H	HOUSING	1	40	1DBR63	TUBE 4X2.5	1
2	1DBR72	ROLLER	2	41	3P1044	MAGNET FILTER	3
3	1BL5402000	WASHER	2	42	1C1971	RAM	3
4	7SW012	SPRING WASHER 12	2	43	1C1972	RAM RETURN SPRING	3
5	7B12025T11	HEX BOLT 12X25 11T	2	44	1C197301	DELIVERY VALVE	3
6	1DBR311070	BENDING HOOK (WIDE)	1	45	1C1331	DELIVERY VALVE SPRING	3
6a	1DBR80A	BENDING HOOK (L RADIUS)	*	46	1C13352	SPRING GUIDE	3
7	1DBR711	PACKING	4	47	1C13292	PUMP HEAD SEAL	3
8	1DBR309550	HOLDING WIRE	2	48	7PT1/8	HEX PLUG 1/8	1
9	7MB3025DU	DU BUSHING	1	49	1HB1620	RUBBER PLUG	1
10	7BRP30	BACKUP RING P30	1	50	7698	BALL BEARING	1
11	7ORP30	O RING	1	51	1C1325	BEARING GUIDE	2
12	1DBR3095402	GUIDE	1	52	712NQ2410A	NEEDLE BEARING	1
13	7SS05006	HEX SOCKET SET SCREW 5X6	2	53	7SRH027	CIRCLIP H 27	1
14	7PT1/8	HEX PLUG 1/8	3	54	1DBR751	VALVE CASE	1
15	1HB1620	RUBBER PLUG	1	55	3DS2360	CONNECTOR	1
16	3DS2359	ELBOW NIPPLE JOINT	1	56	1DBR62	OIL PIPE	1
17	1DBR562	PISTON	1	57	1DBR77	GUIDE BOLT	1
18	1DBR581	VALVE COVER	1	58	7WF06	SEAL WASHER WF6	1
19	1DBR57	END VALVE	2	59	7CB06006	HEX CAP BOLT 6X6	1
20	1C1922	VALVE END SPRING	1	60	7WF06	SEAL WASHER WF6	1
21	7ORP14	O RING	1	61	3DA102K	STOPPER SPRING	1
22	1DBR83	BACKUP RING P18	1	62	7SBTA3/16	STEEL BALL 3/16	1
23	7SB08015	HEX FLAT HEAD BOLT 8X15	3	63	7PT1/8	HEX PLUG 1/8	1
24	7BRP55	BACKUP RING P55	2	64	7ORP7	O RING	4
25	7ORP55	O RING	1	65	7CB06040	HEX CAP BOLT 6X40	4
26	1DBR20B	BAND 120	2	66	3DS23322	ROTARY VALVE	1
27	1DBR661	COVER	2	67	7ORP18	O RING P18	2
28	1DBR683	PIPE COVER	1	68	1DBR531	VALVE LEVER	1
29	1DBR20A	BAND 100	2	69	7SP42025W	SPRING PIN Ø4X20	1
30	1DBR79	BAND PACKING	2	70	7SBTA5/32	STEEL BALL BEARING 5/32	1
31	1DBR64	RUBBER BAG	1	71	1DBR821	VALVE SET	1
32	7ORG70	O RING G70	2	72	7BW004	DISK SPRING 4	24
33	7BRG70E	BACK-UP RING G70	2	73	1DBR841	GUIDE BOLT	1
34	1DBR551	PIPE CYLINDER	1	74	7SS12012	HEX SOCKET SET SCREW 12X12	1
35	1DBR54	STOPPER	1	75	3DS2343	RUBBER PLUG	1
36	7CB06030	HEX CAP BOLT 6X30	2	76	3DS1939B	PUMP CASE	1
37	1DBR511WH1	CYLINDER	1	77	1C1951B	PUMP CASE PACKING	1
38	7SS04004	HEX SOCKET SET SCREW 4X4	6	78	7B10015	HEX BOLT 10X15	1
39	7PS1/8	HEX PLUG 1/8	2	79	7WF10	SEAL WASHER WF10	1



**BN Products-USA™**

A DIVISION OF BENNER-NAWMAN, INC.

**DBR-25WM**

**#8 Rebar Bender/Straightener**

BN Products Customer Service: (800) 992-3833

## Parts Listing

(CONTINUED)

No.	Part No.	Part Name	Qty	No.	Part No.	Part Name	Qty
80	1DBR420610	SEAL COVER	1	96	7M416368G01	CARBON BRUSH	2
81	7TCV19358	OIL SEAL	1	97	7P857640H01	BRUSH CAP	2
82	76004VV	BALL BEARING	1	98	7R6551ZB	COVER	1
83	7CB06090	HEX CAP BOLT 6X90	4	99	7P204006	PAN HEAD BOLT W/WASHER 4X6	2
84	1C2618	MAIN HANDLE	1	100	7M419118H14	TUBE	1
85	1C1946	SWITCH COVER	1	101	1C1961D	CONDENSER	1
86	7P205055	PAN HEAD BOLT W/WASHER 5X55	2	102	7HTK9580498	CORD ARMOR	1
87	7CB06018	HEX CAP BOLT 6X18	4	103	1C1961F	CORD SET	1
88	7R6521ZB-AR115DBR	ROTOR ASSEMBLY (ARMATURE)	1	*Numbers referencing the parts diagram may not be contiguous; i.e. #91 is omitted intentionally.			
89	7FS04812	SWITCH	1				
90	7P204008	PAN HEAD BOLT W/WASHER 4X8	2				
92	7M316803G02	STATOR 115V	1				
93	7P205055	PAN HEAD BOLT W/WASHER 5X55	2				
94	7R6541ZB	FRAME	1				
95	7P443817H01	RUBBER PIN	1				



**BN Products-USA™**

3450 N. Sabin Brown Road | Wickenburg, AZ 85390

(800) 992-3833 | [www.BNProducts.com](http://www.BNProducts.com)

THE MOST TRUSTED NAME IN REBAR TOOLS