

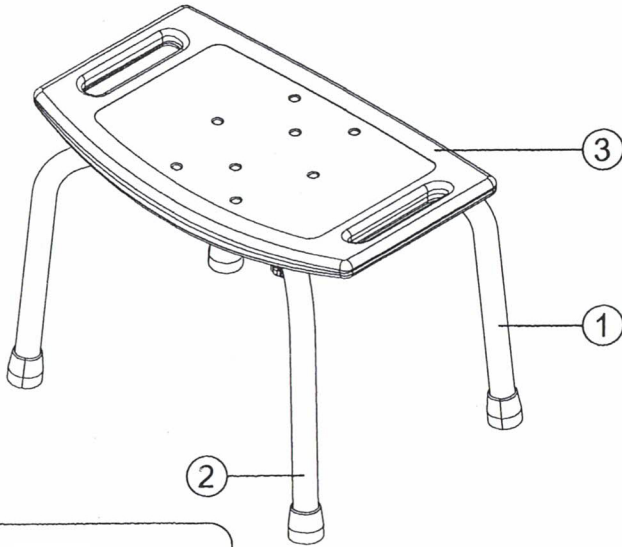
A-0144A


TOOL FREE SHOWER CHAIR



Caution and safety information

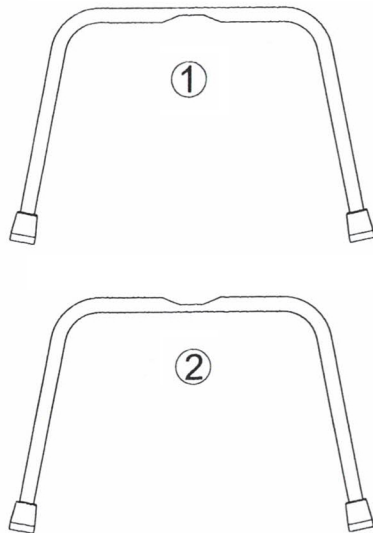
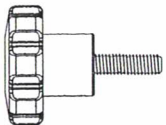
- Read instruction before assembly.
- Please check before assembling if the parts quantities are correct.
- Max User Weight (250lbs. / 113kgs).
- Making substitutions or modify this product in any way will void your warranty.
- This product is intended to be used as a sitting surface only. (Do not stand on the seat)
- Should be checked before each use to make sure it is securely attached. Reinstall if necessary.
- MedGear assumes no liability for any damage or injury caused by improper , assembly or use of this product.



 **Warning:**
Do not sit alone in the corner
of the seat to avoid injured.

- 1.Leg tube B (1)
- 2.Leg tube A (2)
- 3.Seat (3)

a.Screw
M6×33L mm -5pcs / 5



1

Put leg (2) (A) on (1) (B) in the cross position then screw legs (2) (A) and (1) (B) onto seat in the center with part (a) .
Fix the four points of legs onto seat with part (a) .

